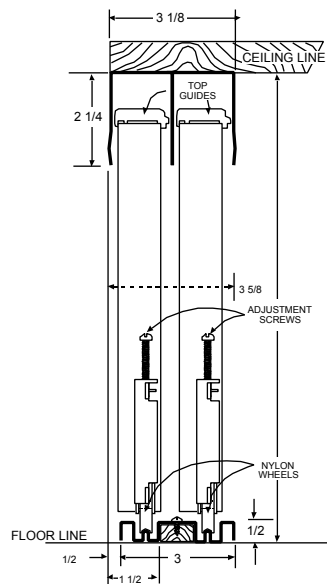


Aspen™

- Heavy-duty 24-gauge steel one-piece Top Channel and Bottom Track and 26-gauge frame molding
- Available in Aztec Gold Paint, Champagne Gold Paint and Gloss White Paint
- Cameo White Prefinished panel
- Prefinished panels are interchangeable with Savoy™ and Brittany® mirrored door panels with minimum labor
- Injection-molded Top Guides for smooth operation
- Steel back braces are hot melted (glued) to each panel for added strength and rigidity and to help prevent warpage
- Full 1" adjustment to fit opening height
- Bottom rolled with jump-proof track
- 1 1/2" diameter wheels in extra-heavy 18-gauge steel housing
- Standard opening width: 47 , 59 , 71 , 83 , 95 , 107 , 119 , 143 , 167 , 191
- Standard opening height: 80 1/2 +/- 1/2 , or 96 + 1/4 , - 3/4



Aspen™ and Savoy™