

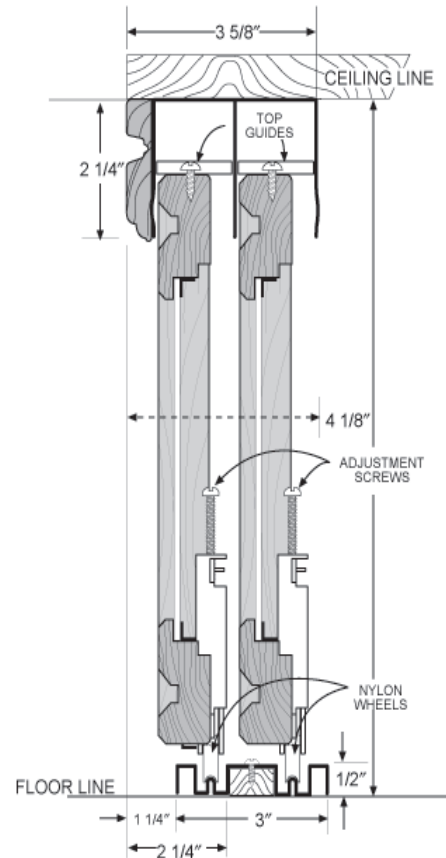


Golden Oak™ in Light Oak Stain with Chrome Mylar insert

## Golden Oak™

- 2 1/4" wide solid oak (milled from 5/4 oak) Frame Molding
- Frame Molding stained and finished using a 5-stage process
- Available in Light Oak Stain, Medium Oak Stain, Dark Oak Stain, Red Mahogany Stain, Whitewash, Clear Lacquer and Unfinished\*
- Gold Mylar or Chrome Mylar insert available
- Matching Oak Fascia is pre-attached to the Top Channel
- All Frame Molding hand-sanded for a custom finished look
- Mitered corners
- All corners glued and secured by two tapered corner Fasteners
- 3 mm Duraflect® Copper-Free Mirror
- Available with Duratuf® Painted Glass
- Available with 1" Bevel All
- Full 1" adjustment to fit opening height
- 1 1/4" diameter Wheels with hardened steel Races and 5/32" Ball Bearings in extra-heavy 18-gauge steel Housing
- Injection molded Top Guides for smooth operation
- Standard and custom sizes available
- Standard opening width: 48", 60", 72", 84", 96", 108", 120", 144", 168", 192"
- Standard opening height: 81" and 96", +/- 1/2"

\* Unfinished Oak is not warranted against warpage



Golden Oak™



**Contractors Wardrobe®** DESIGNERS • MANUFACTURERS  
 26121 Avenue Hall • Valencia, CA 91355 • (661) 257-1177 • Fax: (661) 257-4907  
 Toll Free: (800) CW-DOORS • (800) 293-6677 • www.CwDoor.com

Ref: Specification Sheet  
 with Photo - Golden Oak  
 Rev: 11/13/13